

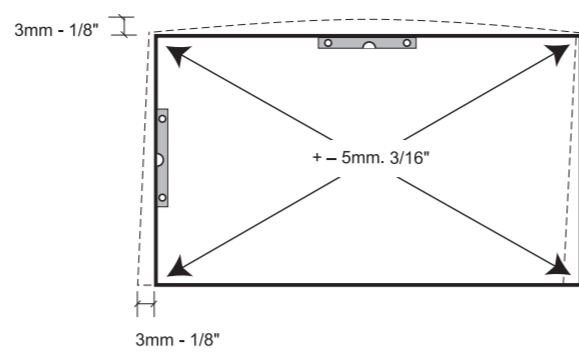
# E4

INSTALLATION INSTRUCTIONS

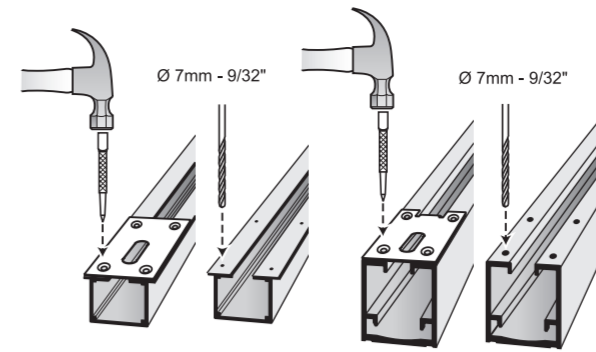
centor.com

centor

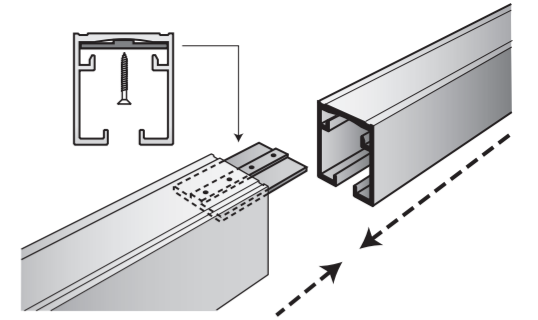
## 1. INSTALL FRAME



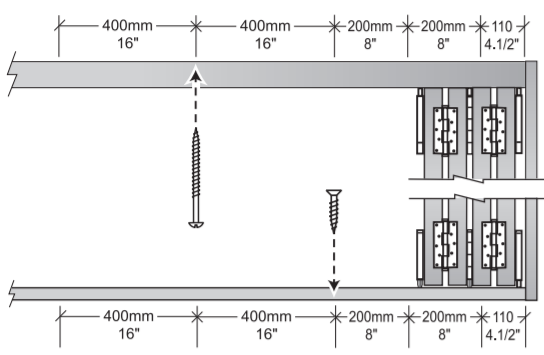
## 2. BI-PARTING SETS ONLY



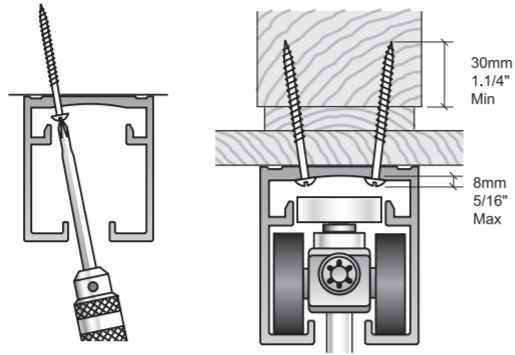
## 3. TRACK JOINING



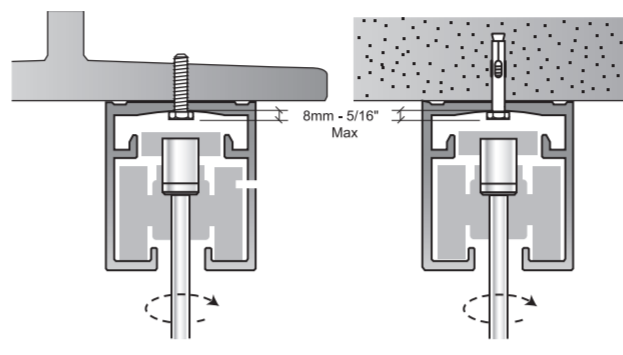
## 4. MAXIMUM TRACK FIXING CENTRES



## 5. TRACK FIXING & CARRIER CLEARANCE



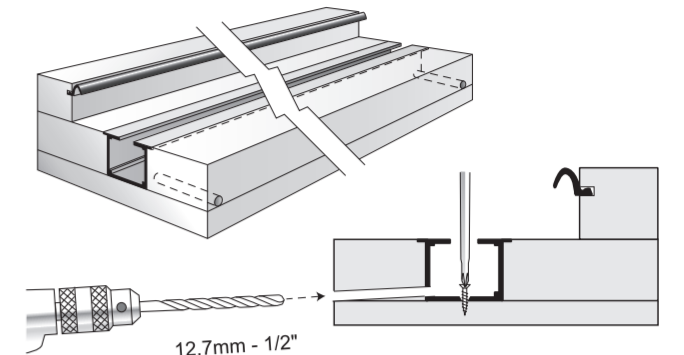
## 6. ALTERNATIVE TRACK FIXING



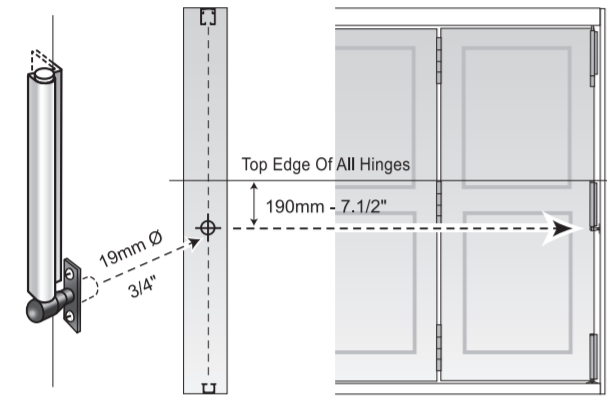
## 7. ALIGNMENT



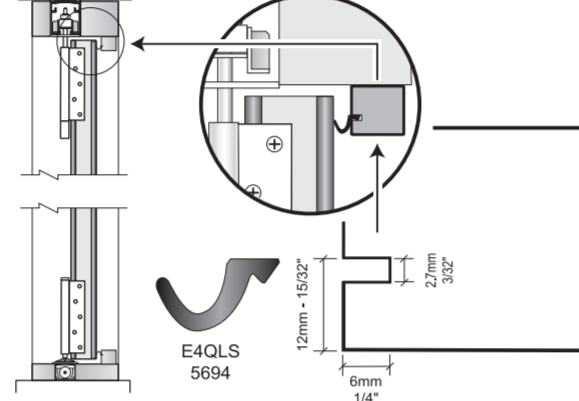
## 8. CHANNEL FIXING - DRAINAGE



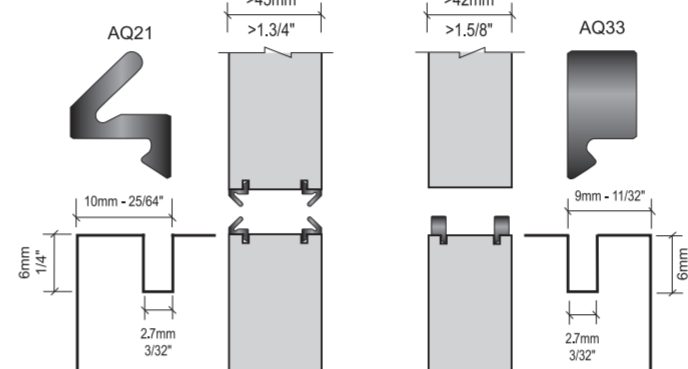
## 9. WALL PIVOTS



## 10. PERIMETER SEAL



## 11. PANEL SEALS

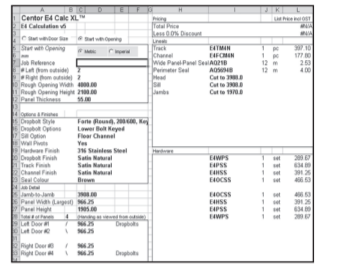


## 12. CALCULATING PANEL SIZE

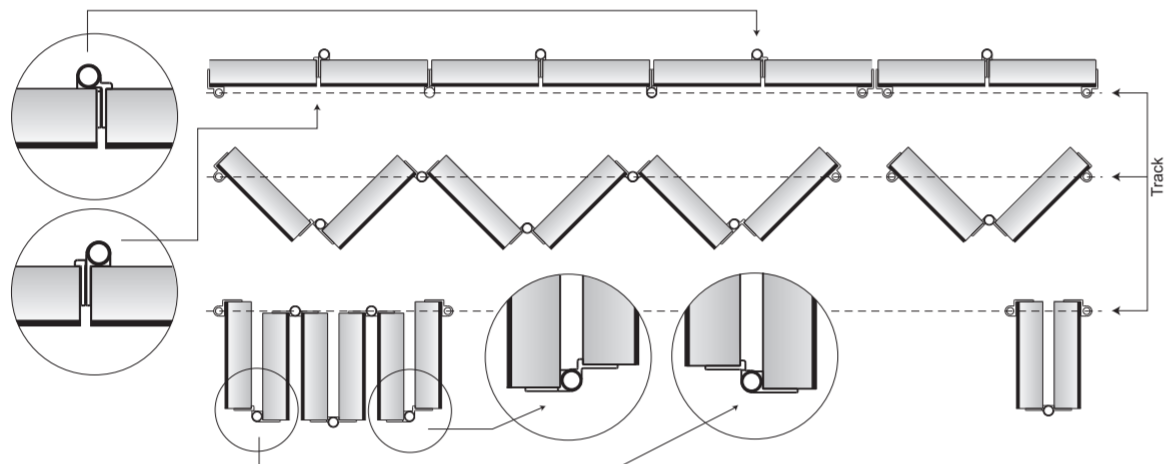
### E4 Calc XL™ Spreadsheet

Centor E4 Calc XL™ is designed for the E4 folding door system. E4 Calc XL will operate on any system running Microsoft Excel 95 or later.

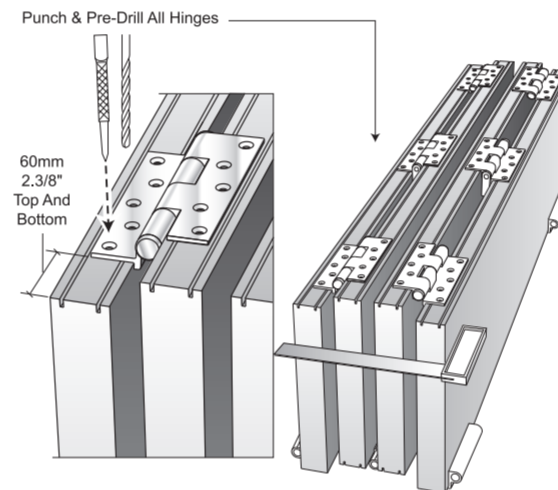
centor.com



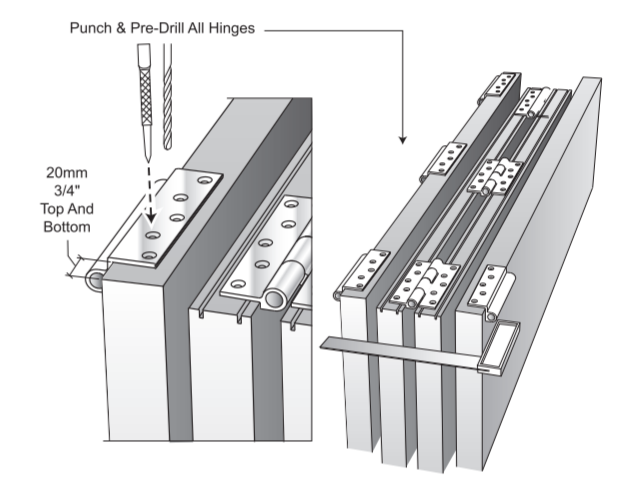
## 13. PANEL ORIENTATION



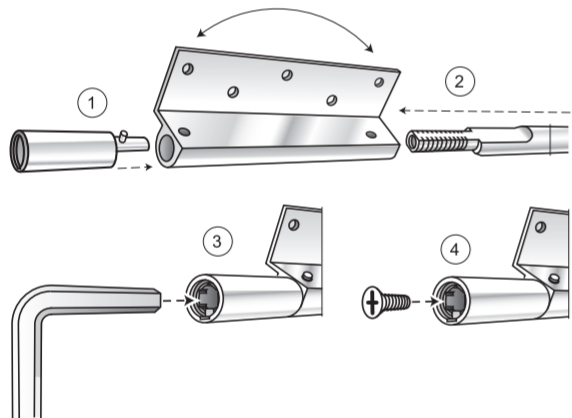
## 14. HINGES



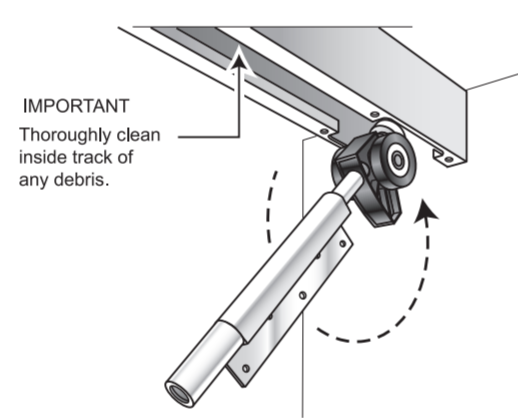
## 15. CARRIERS AND GUIDES



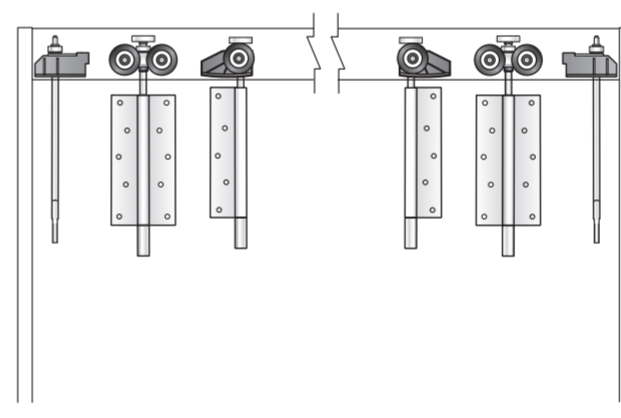
## 16. ASSEMBLY - REVERSIBLE



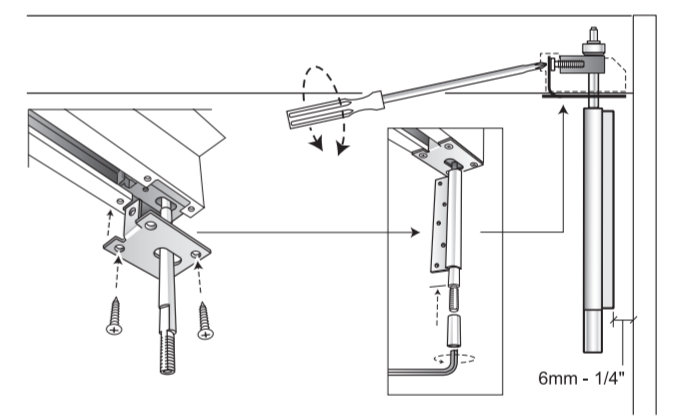
## 17. HARDWARE INSTALLATION



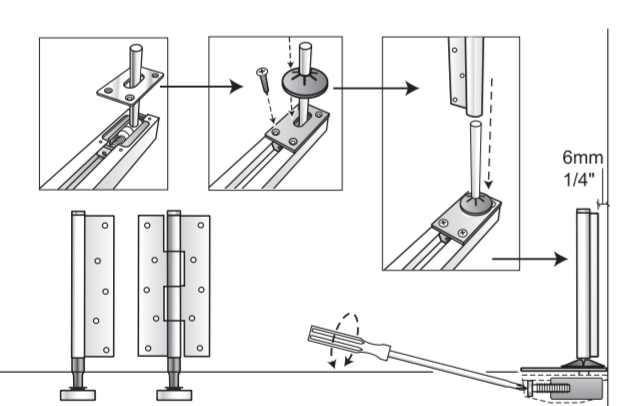
## 18. HARDWARE ORIENTATION



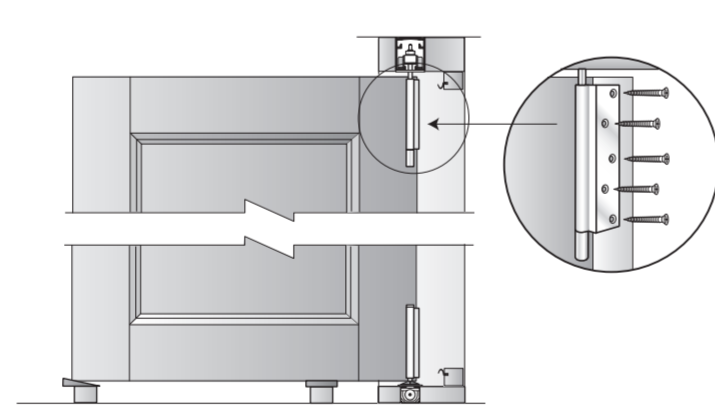
## 19. TOP PIVOT BLOCK



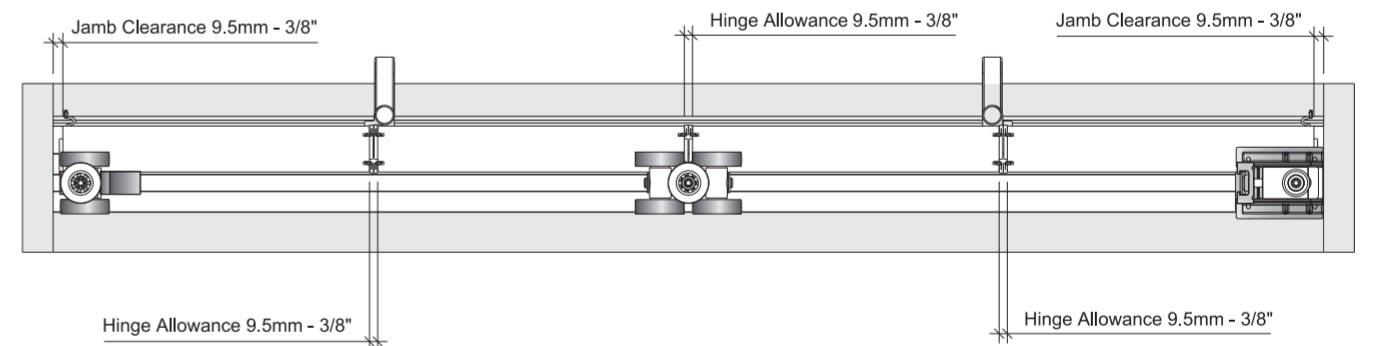
## 20. BOTTOM PIVOT BLOCK



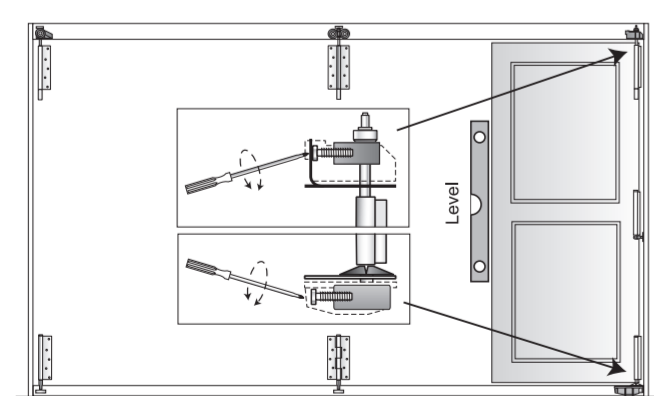
## 21. FITTING PIVOT PANEL



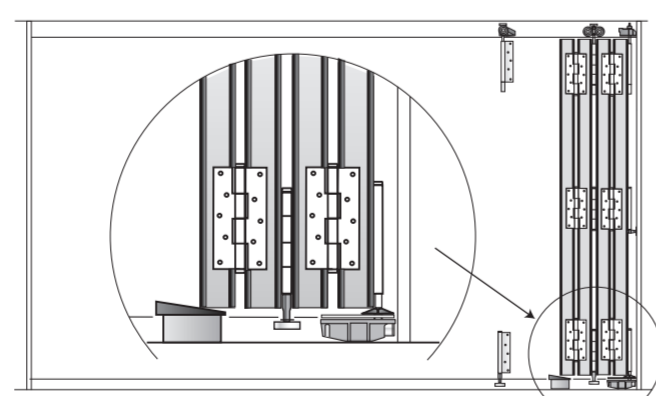
## ELEVATION AND OVERVIEW



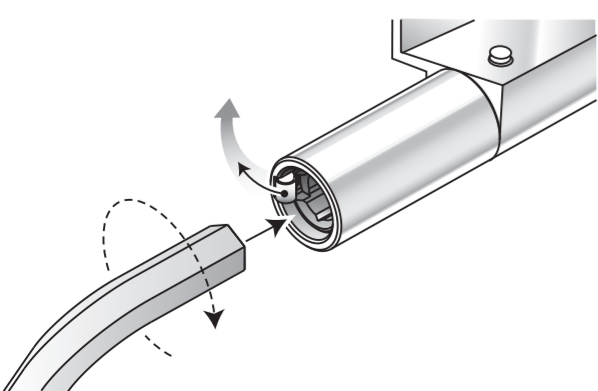
## 22. HORIZONTAL ADJUSTMENT



## 23. ADDING PANELS



## 24. CARRIER PIN NUT



## 25. FINAL ADJUSTMENT

